

DETAIL K
SCALE 2 : 1

DETAIL B
SCALE 2 : 1

DETAIL E
SCALE 2 : 1

DETAIL C
SCALE 2 : 1

DRAWN BY: D. JOHNSON
SCALE: 1 : 1
DATE: 04/28/04

HARDWARE RESOURCES

4319 MARLENA ST, BOSSIER CITY, LA 71111

PART NAME: 3mm FACE FRAME M PLATE

MATERIAL: ZINC

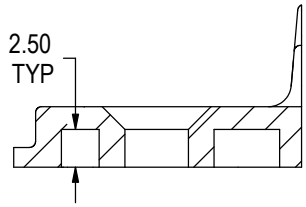
ITEM NO: 400.3714.65

PLATING:

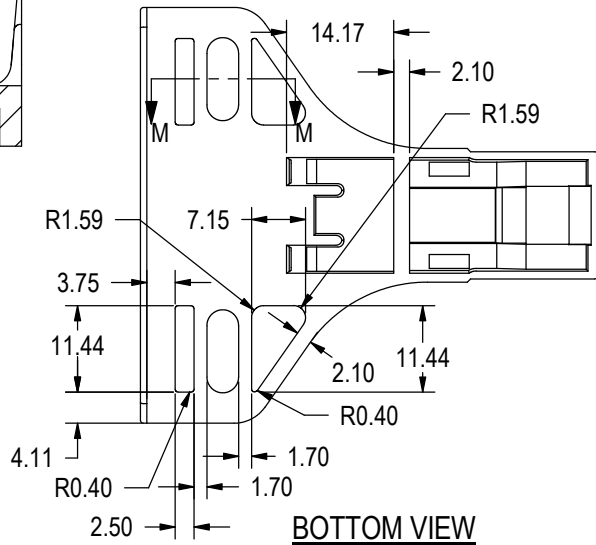
TOLERANCES
UNLESS OTHERWISE SPECIFIED
DIMENSIONS AND TOLERANCING
ARE IN MILLIMETERS (INCHES)

- .X ±.1
- .XX ±.03
- .XXX ±.005

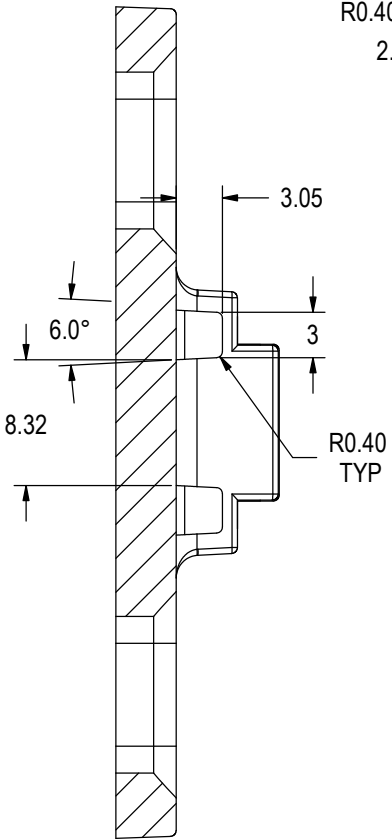
SHT NO.
1 OF 2



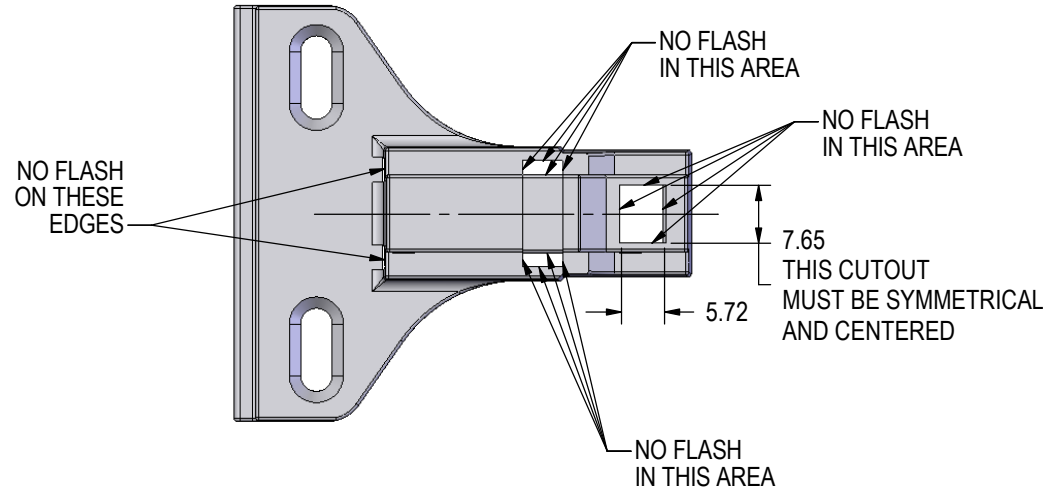
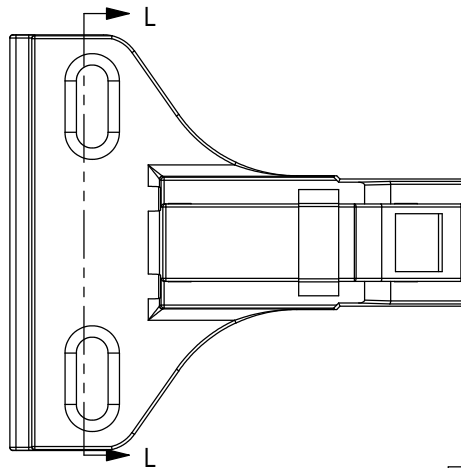
SECTION M-M
SCALE 2:1



BOTTOM VIEW



SECTION L-L
SCALE 2:1



SHT NO.
2 OF 2

DRAWN BY: D. JOHNSON	SCALE: 1:1	DATE: 04/28/04
-------------------------	---------------	-------------------

TOLERANCES

UNLESS OTHERWISE SPECIFIED
DIMENSIONS AND TOLERANCING
ARE IN MILLIMETERS (INCHES)

.X ±.1
.XX ±.03
.XXX ±.005

HARDWARE RESOURCES
4319 MARLENA ST, BOSSIER CITY, LA 71111

PART NAME:	3mm FACE FRAME M PLATE
MATERIAL:	ZINC
ITEM NO:	400.3554.65
PLATING:	